

Yield

- Yield : 120kg / 1hr
- Operator : 1~2

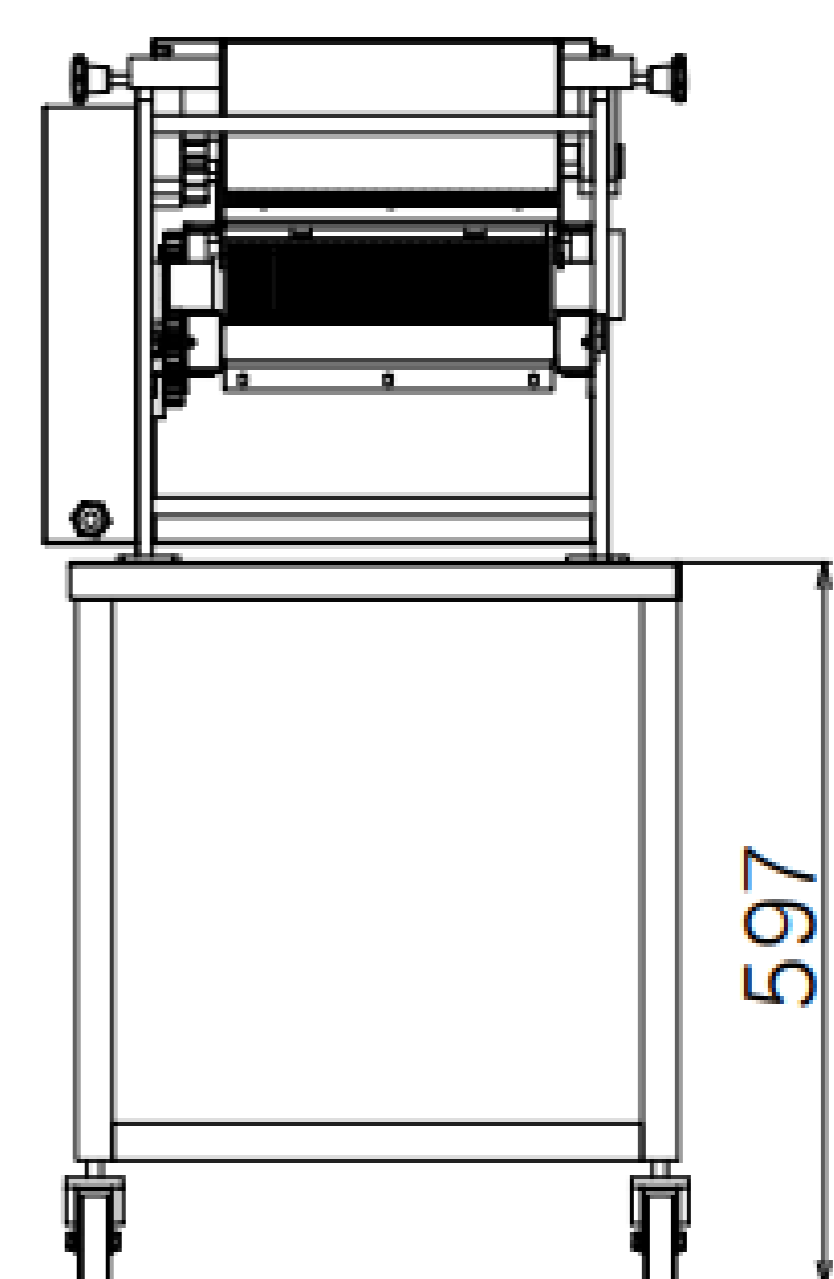
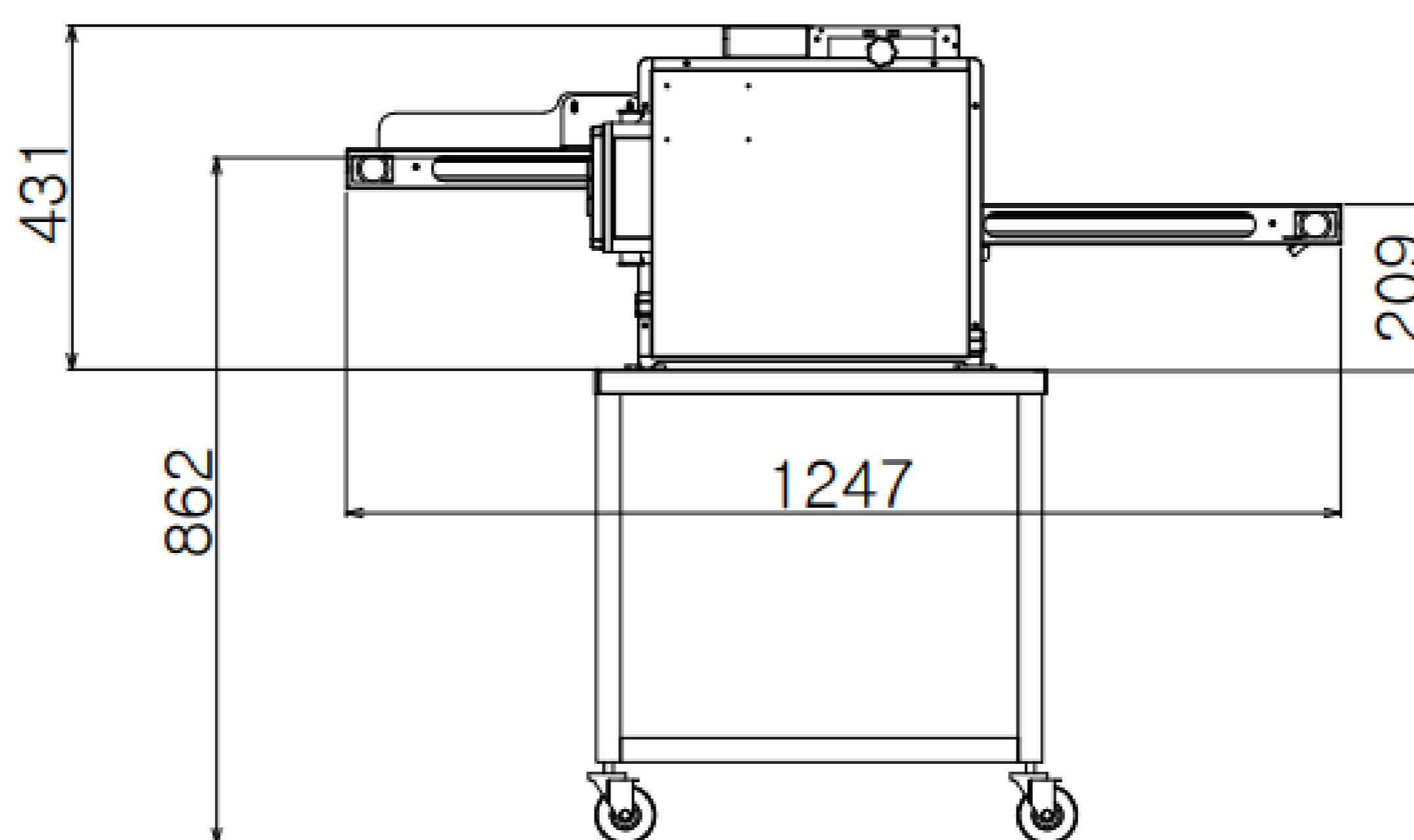
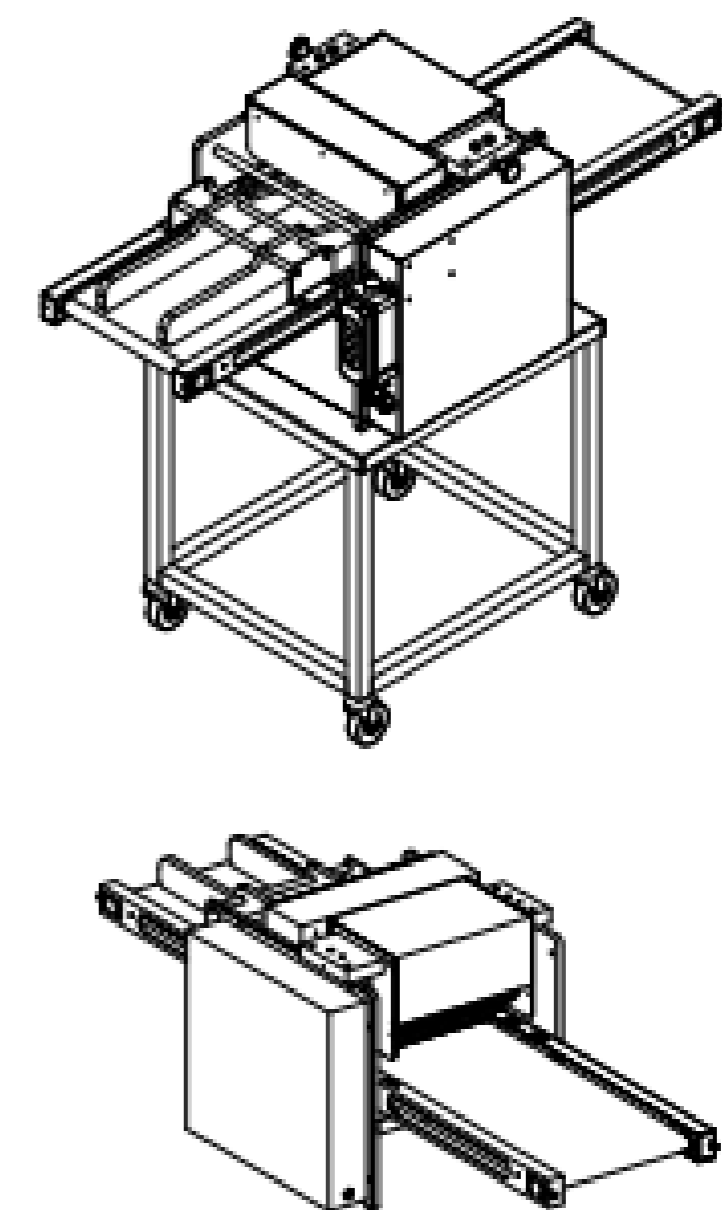
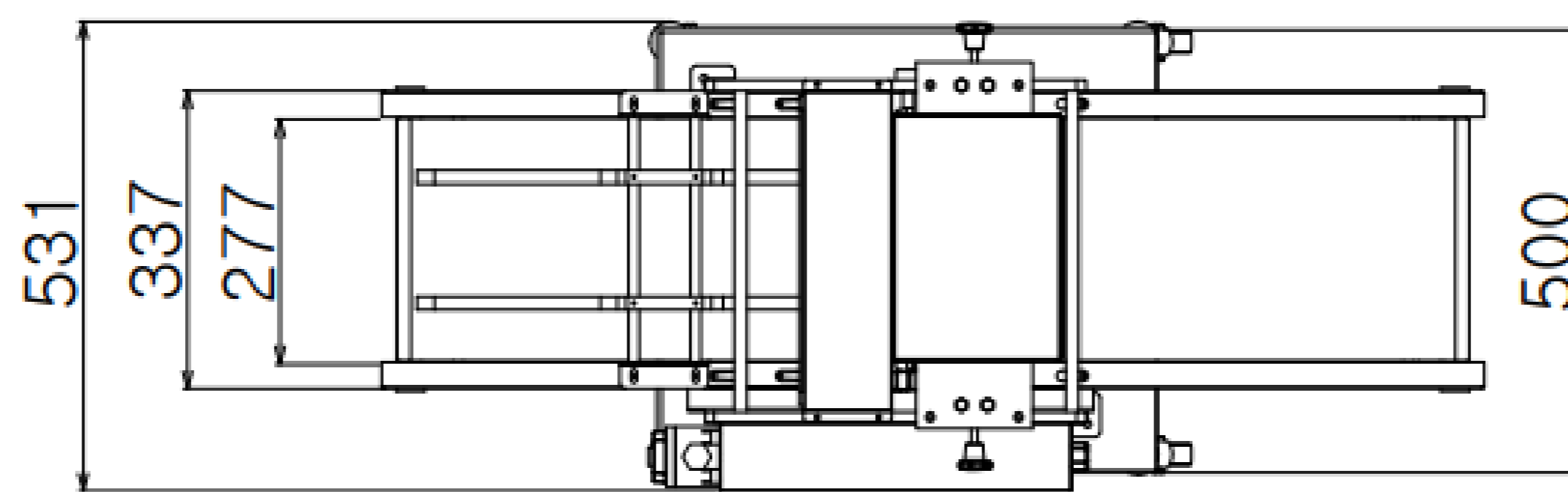
Technical Specifications

- Aluminum body , stainless steel bending structure
- Transfer belt: Polyurethane belt (Width of use 270mm)
- Operating voltage : 2-phase 220V(single phase)
- Power consumption : 400W
- Machine dimensions
 - Width 1,250mm
 - Length 500mm
 - Height 430mm
- Material of the knife: 420J2
 - Outer diameter Ø 170
 - Inner diameter Ø 28
 - Thickness 1mm

Jeil Precision is a South Korean food processing machinery manufacturing company established in 2002.

We primarily focus on poultry cutting equipment and provide differentiated solutions based on years of experience.

With expertise in designing and developing specialized machines for secondary processing production lines, personnel deployment, and customized machinery, we aim to reduce labor costs and meet the diverse demands of cutting products driven by changes in dietary culture through engineering design and research and development (R&D).



CONTACT US

ADD. 21-24, Bangchon-ro 348 Beon-gil,
Paju-si, Gyeonggi-do, 10847 Korea

TEL. +82 31 947 4479

E-mail. info@jeilprecision.com





Slicer JP501

(Two machines come in one set)



Yield

- Yield : 120kg / 1hr
- Operator : 1~2

Technical Specifications

- Aluminum body , stainless steel bending structure
- Transfer belt: Polyurethane belt (Width of use 270mm)
- Operating voltage : 2-phase 220V(single phase)
- Power consumption : 400W X 2EA
- Machine dimensions

1st machine

- Width 1,247mm
- Length 477mm
- Height 1,038mm

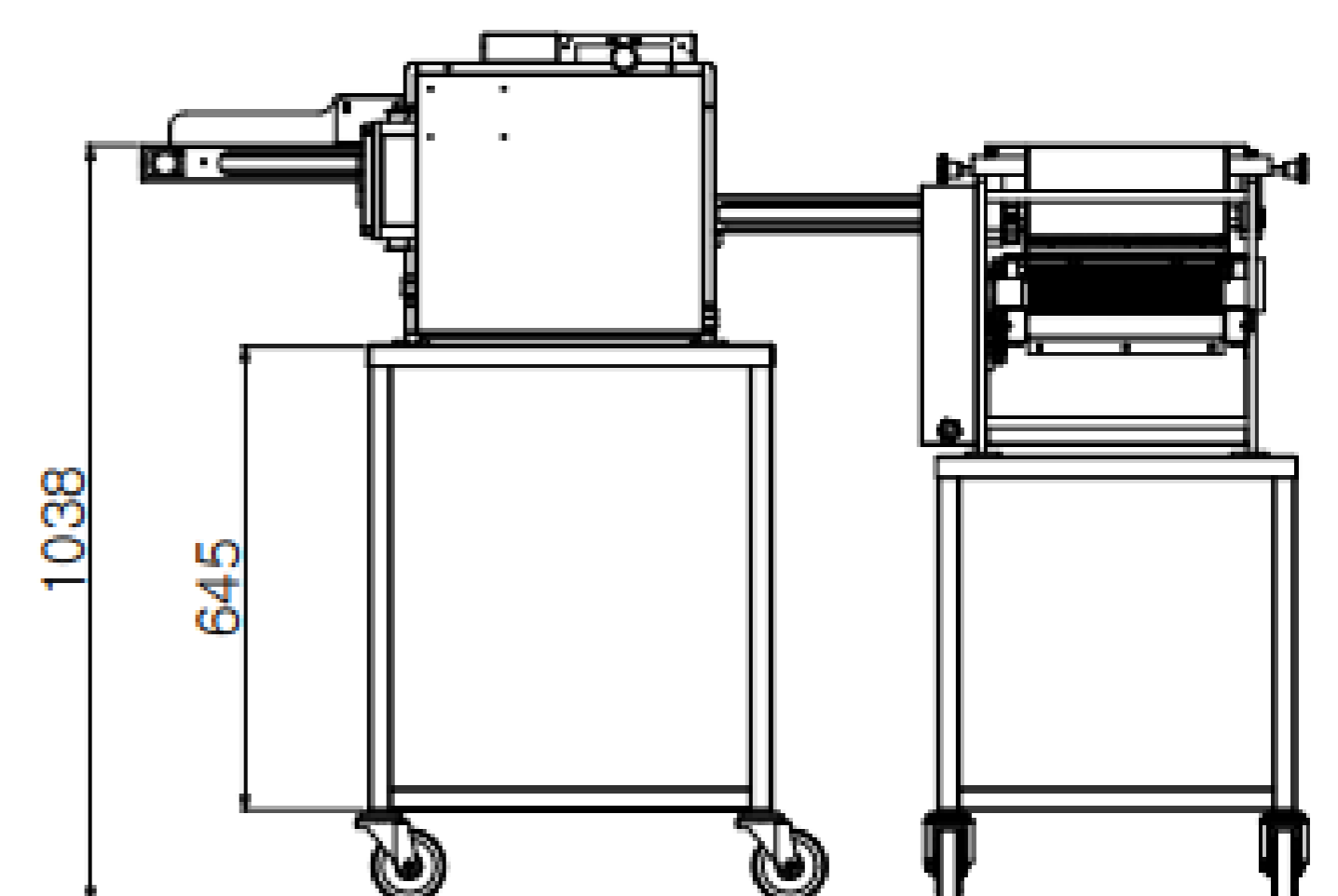
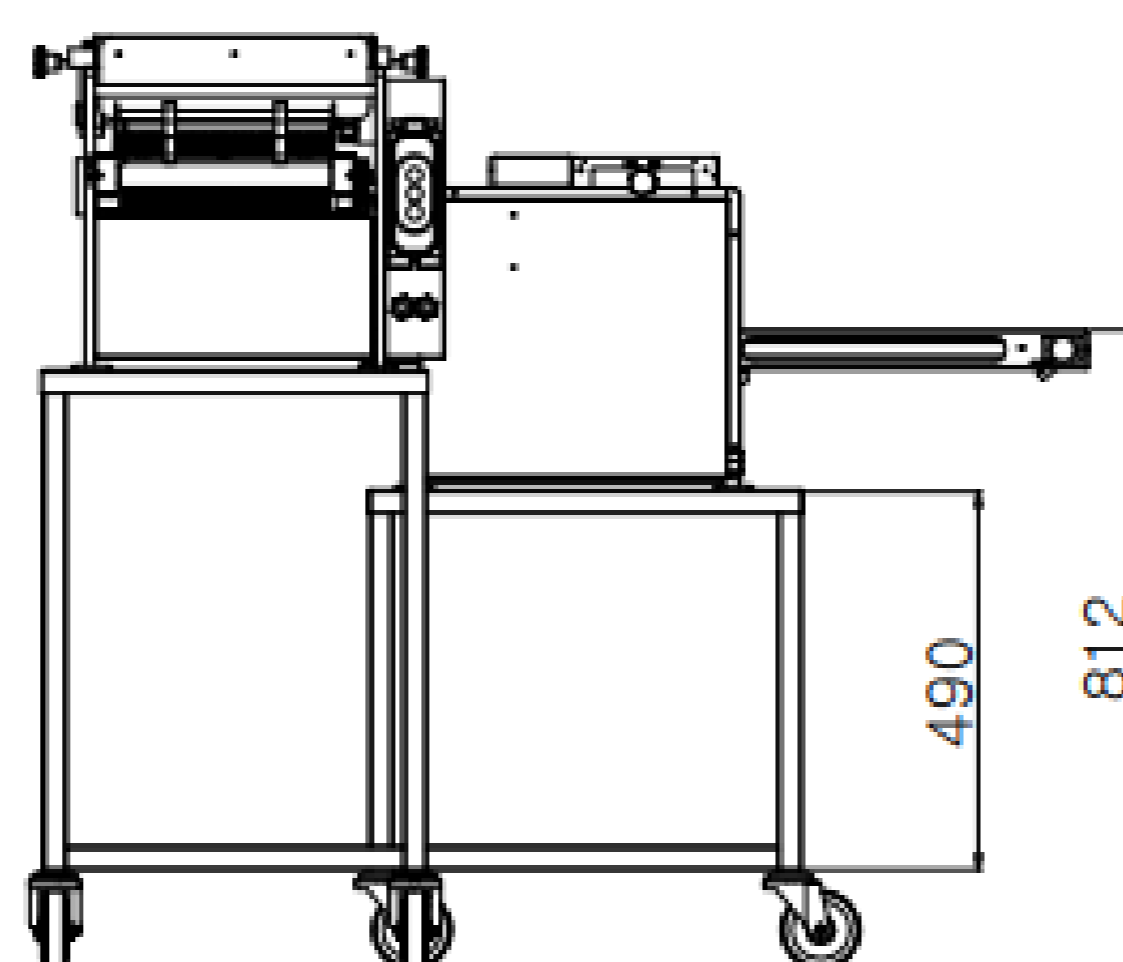
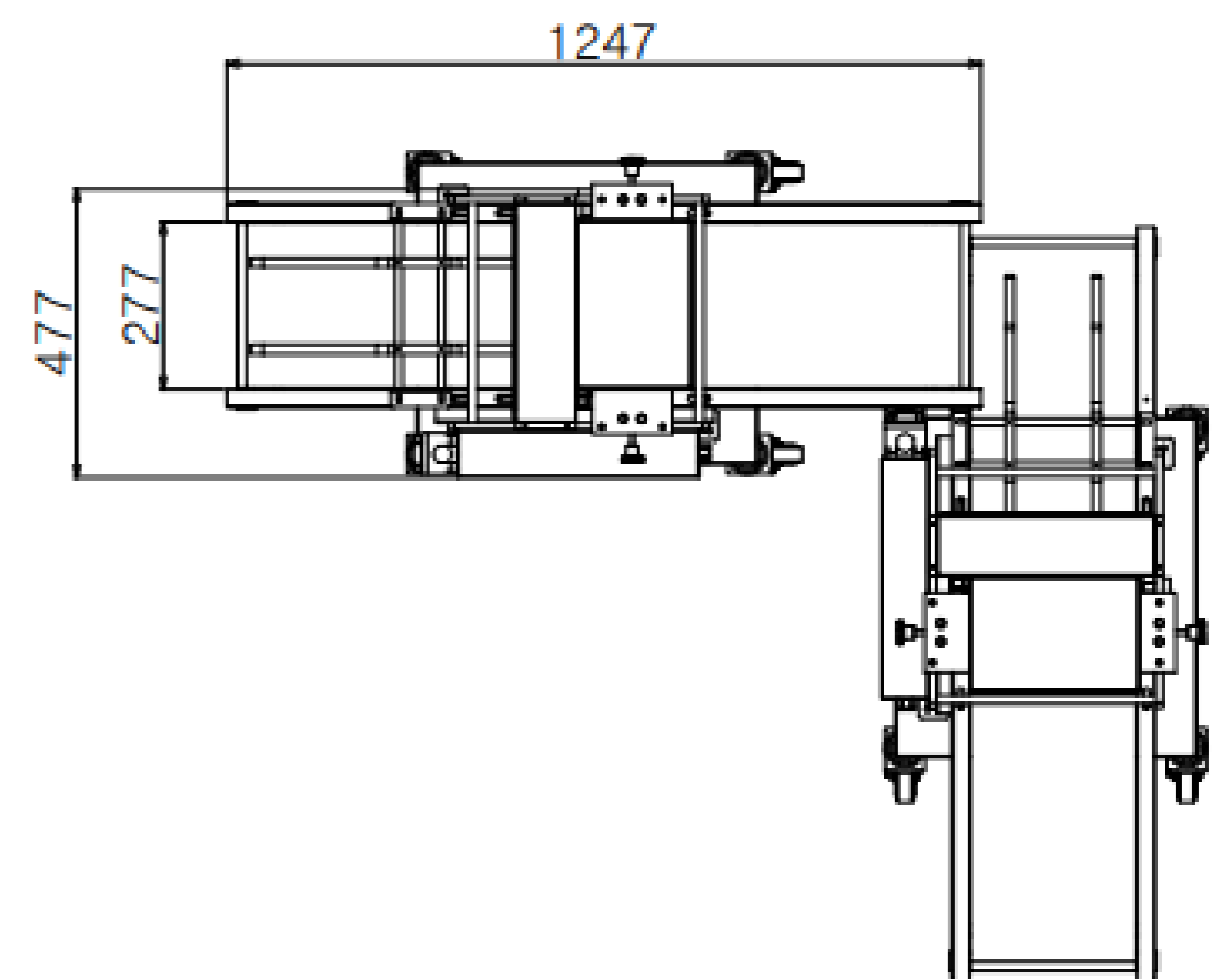
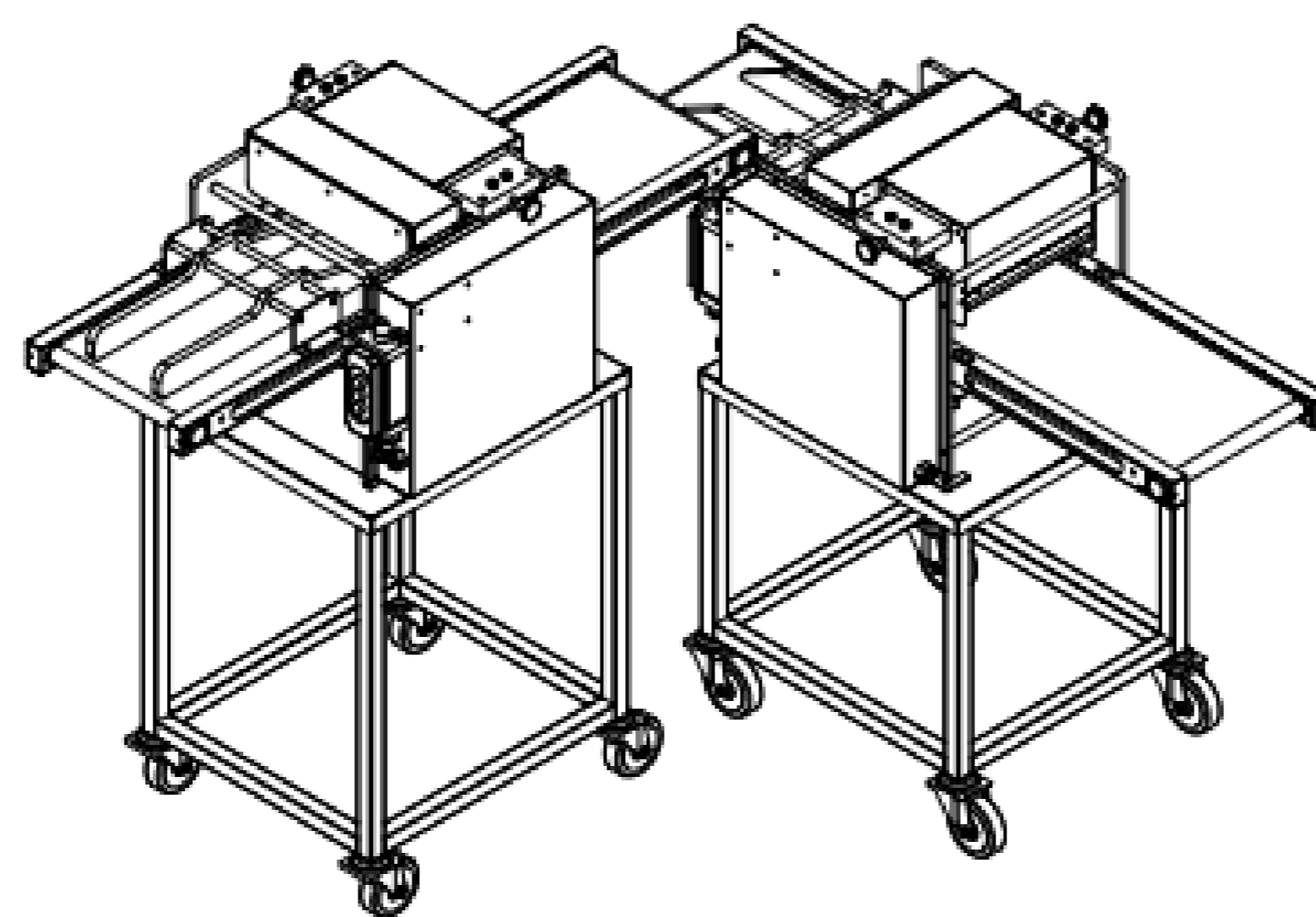
2nd machine

- Width 1,247mm
- Length 477mm
- Height 812mm
- Material of the knife: 420J2
- Outer diameter Ø 170
- Inner diameter Ø 28
- Thickness 1mm

Jeil Precision is a South Korean food processing machinery manufacturing company established in 2002.

We primarily focus on poultry cutting equipment and provide differentiated solutions based on years of experience.

With expertise in designing and developing specialized machines for secondary processing production lines, personnel deployment, and customized machinery, we aim to reduce labor costs and meet the diverse demands of cutting products driven by changes in dietary culture through engineering design and research and development (R&D).



CONTACT US

ADD. 21-24, Bangchon-ro 348 Beon-gil,
Paju-si, Gyeonggi-do, 10847 Korea

TEL. +82 31 947 4479

E-mail. info@jeilprecision.com



Home



Product

